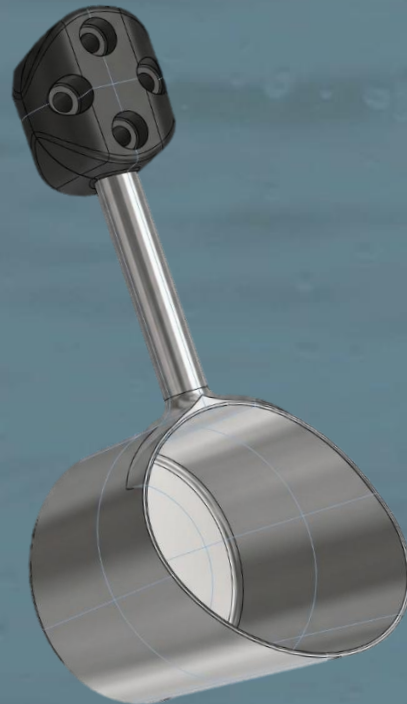
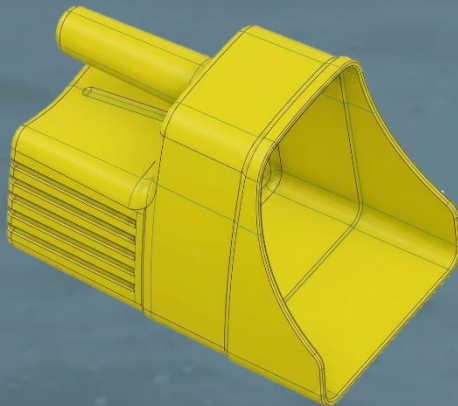
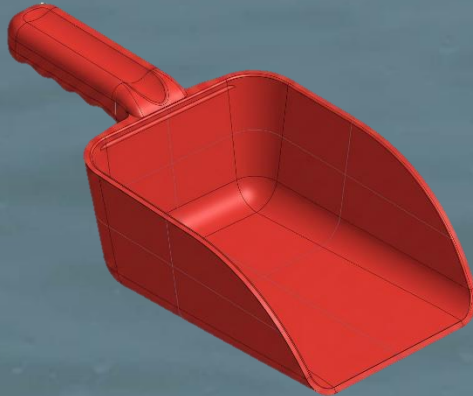


ROPOS

CANADIAN SCIENTIFIC SUBMERSIBLE FACILITY



Sampling Scoops

Summary

The ROV Sampling Scoops are a set of manipulator-compatible tools designed for efficient collection and transfer of loose materials in subsea environments. Available in three configurations—plastic open, plastic enclosed, and metal enclosed—these scoops provide flexibility for a wide range of sampling tasks, from sediment collection to biological or particulate retrieval. Each design balances durability, ease of handling, and sample retention depending on operational needs.

Key Features

- Designed for secure grip with standard ROV manipulators
- Open and enclosed designs for varying sample types and containment needs
- Impact-resistant plastics or corrosion-resistant metal construction
- Optimized geometry for scooping, lifting, and transferring samples

Specifications

General			
Style	A	B	C
Type	Enclosed	Open	Enclosed
Material	Polypropylene	Polypropylene	Stainless Steel
Capacity	0.74 gal (2.8 L)	0.63 gal (2.4L)	0.61 gal (2.3L)

