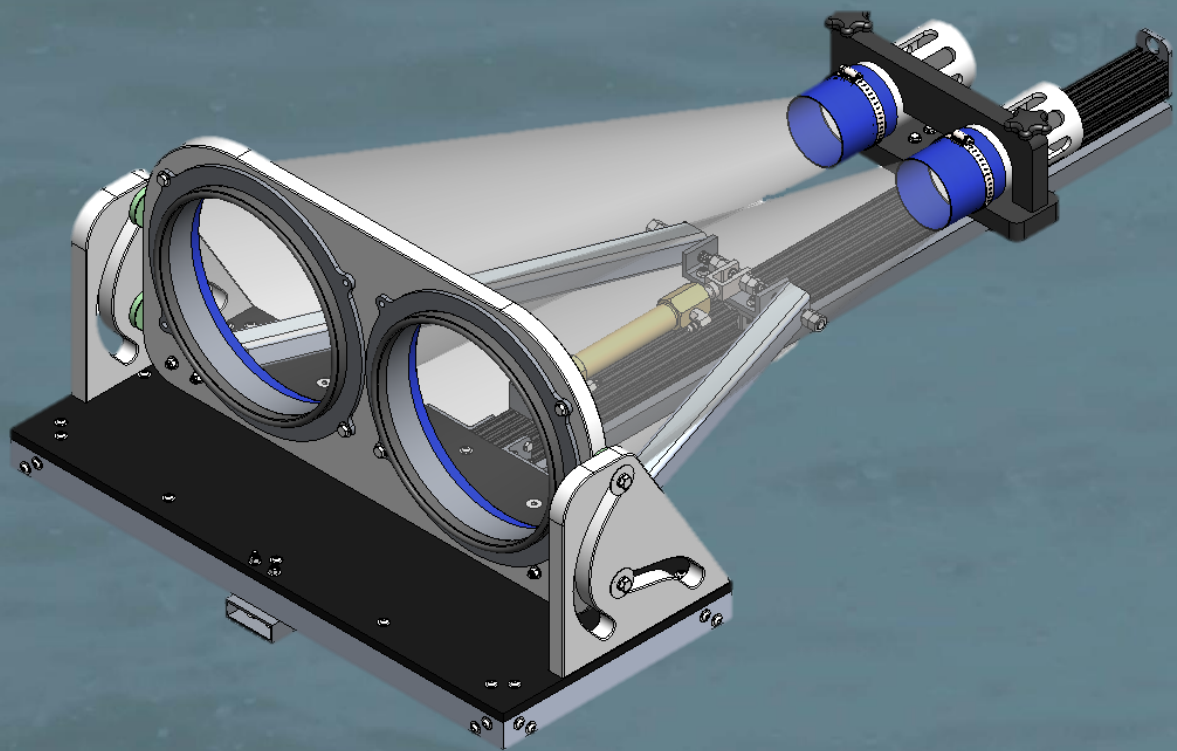


ROPOS

CANADIAN SCIENTIFIC SUBMERSIBLE FACILITY



Plankton Nets

ROPOS.COM

Summary

The Plankton Net Tool is an ROV-mounted sampling system designed for efficient, in-situ collection of plankton in the water column. The system features two forward-mounted nets positioned beyond the vehicle's bow wake to ensure clean, undisturbed water flow through each net.

Each net is mounted on a hydraulically actuated frame that allows operators to open or close both net mouths simultaneously by rotating them 90 degrees. When closed, the nets seal against a solid polymer plate, preserving collected samples and protecting the net openings. The folding mechanism also reduces the system profile, minimizing drag and risk of damage during transit.

Key Features

- Dual 11.8" (300mm) diameter plankton nets for simultaneous sampling
- Hydraulically actuated opening/closing mechanism (90° rotation)
- Net mouths positioned beyond ROV bow wake for clean flow sampling
- Folding frame design reduces drag and protects nets when closed
- Sealing plate ensures secure sample containment

Specifications

General	
Net Dimensions (DIA x L)	11.8" X 35" (300mm X 900mm)
Mesh Size	250 microns
Hydraulics	
Hydraulic Requirement	1000 psi (70bar)
Connections	2x -4 MJIC
Environmental	
Depth Rating	Full Ocean Depth
Mechanical	
Construction	Aluminum, Plastic
Weight in Air	82 lbs (37.2 kg)
Weight in Water	43 lbs (19.5 kg)